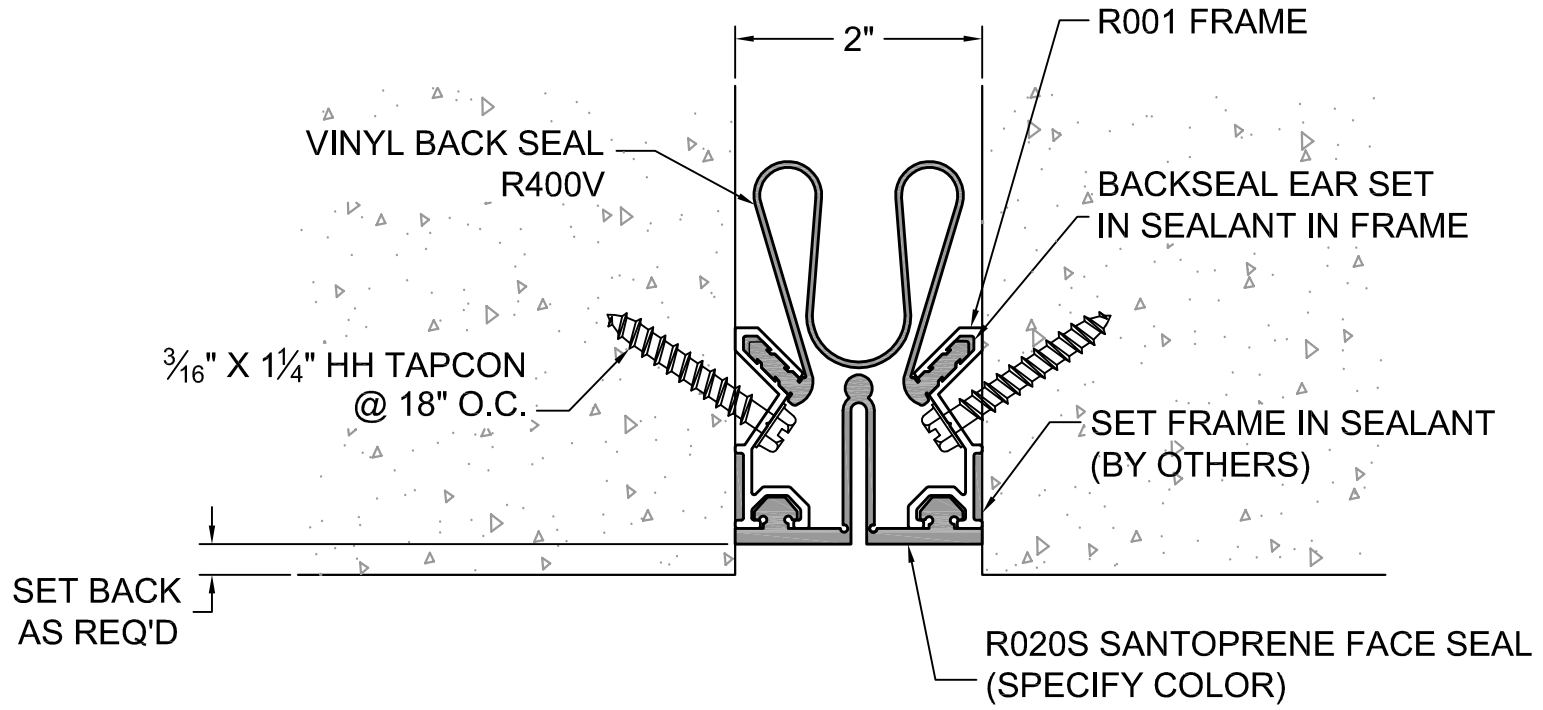


COLOR SELECTOR	
BLACK _____	BROWN _____
BEIGE _____	GRAY _____
WHITE _____	



DESCRIPTION: EXTERIOR WALL JOINT COVER

- ALUMINUM: 6063-T5 EXTRUSION
- FACE SEAL: SANTOPRENE
- BACK SEAL: VINYL
- MOVEMENT: +100% TENSION/COMPRESSION TO 1 1/4"
- STOCK LENGTHS: 10'-0" OR 20'-0" ALUMINUM; SEAL: CONTINUOUS

R20-51-91



**Architectural Art
MANUFACTURING**

Division of Pittcon Architectural Metals, LLC
 283 SWANSON DRIVE, STE 103
 LAWRENCEVILLE, GA 30043
 PH: (678) 680-7373 FAX: (678) 735-0085
 TOLL FREE: (800) 835-0028 web: www.archart.com

EXTERIOR WALL JOINT COVER

MODEL: R20-51-91

DRAWN BY:
DOC

SCALE:
NTS

DRAWING NO.:

DTL-01

SHT. 1 OF 1

DATE:
01/07/11

NO.	DESCRIPTION	BY	DATE

REVISIONS

The information contained herein is the proprietary property of **ARCHITECTURAL ART MFG.**, Division of Pittcon Architectural Metals, LLC. No portion of it may be reproduced by any means or used in any form except for the purpose for which it was furnished. All rights of design and invention are hereby reserved. We reserve the right to make changes in the design at our discretion.