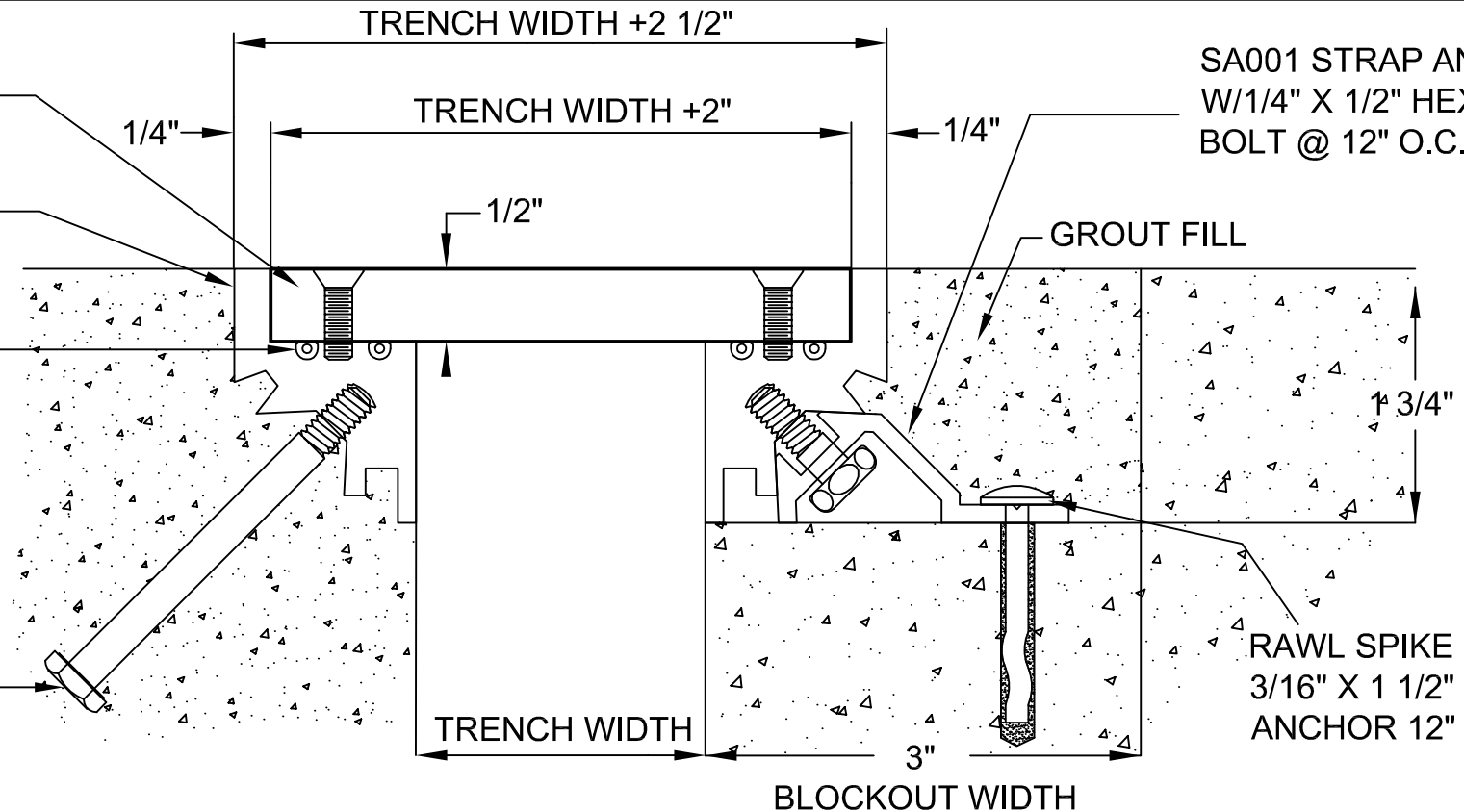


#10-24 x 7/8"
S.S. P.F.H.M.S.
@ 24" O.C.

TF500 FRAME

CONT. "O" RING
VINYL SEALS

1/4" x 2 3/4"
H.H. BOLT
@ 18" O.C.



SA001 STRAP ANCHOR
W/1/4" X 1/2" HEX HEAD
BOLT @ 12" O.C.

GROUT FILL

RAWL SPIKE
3/16" X 1 1/2"
ANCHOR 12" O.C.

*CAST IN PLACE MOUNT - STANDARD

*BLOCKOUT MOUNT OPTION

Select Mounting Option:

Cast-in Place: _____ (Standard if no selection is made)

Block-out: _____

ALUMINUM: 6063-T5 EXTRUSION, 6061-T6
EXPOSED FINISH: MILL
ZINC CHROMATE AREAS IN CONTACT W/CONCRETE
ALLOWABLE LOAD: CALL FACTORY: 800-835-0028
SEALS: 70 DURO. VINYL

M00-13-11

REV. 06/09



**Architectural Art
MANUFACTURING**

Division of Pittcon Architectural Metals, LLC

283 SWANSON DRIVE, STE 103
LAWRENCEVILLE, GA 30043
PH: (678) 680-7373 FAX: (678) 735-0085
TOLL FREE: (800) 835-0028 web: www.archart.com

SMOOTH PLATE TRENCH

MODEL: M00-13-11

DRAWN BY:
JMT

SCALE:
NTS

DRAWING NO.:

SHT. 1 OF 1

ISSUE DATE:
11/24/08

DTL-01

NO.	DESCRIPTION	BY	DATE

REVISIONS

The information contained herein is the proprietary property of **ARCHITECTURAL ART MFG.**, Division of Pittcon Architectural Metals, LLC. No portion of it may be reproduced by any means or used in any form except for the purpose for which it was furnished. All rights of design and invention are hereby reserved. We reserve the right to make changes in the design at our discretion.