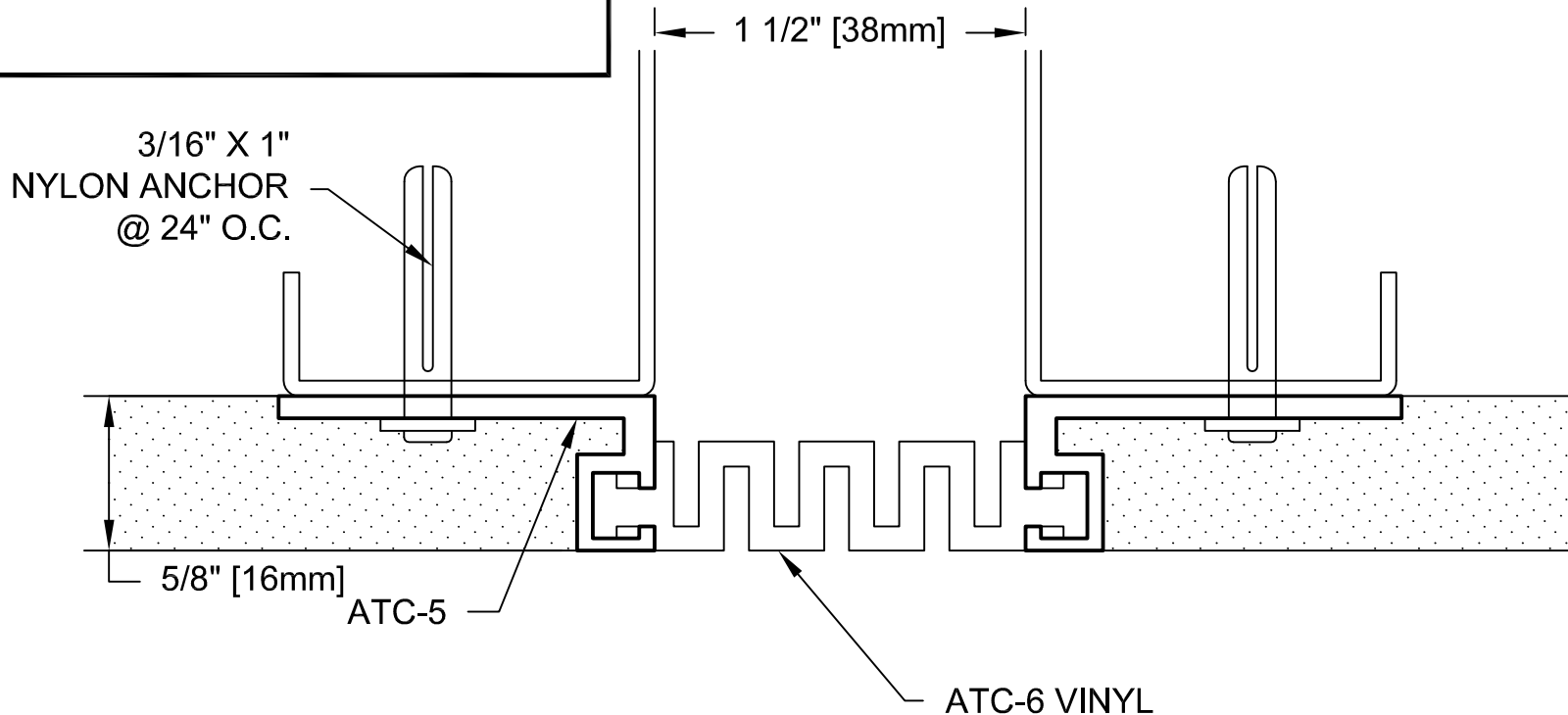


COLOR SELECTOR

BLACK _____ BROWN _____
 BEIGE _____ GRAY _____
 WHITE _____



DESCRIPTION: WALL OR CEILING FLAT VINYL SYSTEM
ALUMINUM: 6063-T5 EXTRUSION
VINYL: 70 DURO. PVC, WHITE
EXPOSED FINISH: R1-204 CLEAR ANODIZED, WITH STRIPPABLE PROTECTIVE TAPE
ALLOWABLE LOAD: NOT DESIGNED FOR STRUCTURAL LOADS
MOVEMENT: +100 -25% JOINT WIDTH
STOCK LENGTHS: 20'0"

J15-51-44
REV. 06/09



Architectural Art
MANUFACTURING

Division of Pittcon Architectural Metals, LLC

283 SWANSON DRIVE, STE 103
 LAWRENCEVILLE, GA 30043
 PH: (678) 680-7373 FAX: (678) 735-0085
 TOLL FREE: (800) 835-0028 web: www.archart.com

WL OR CL FLAT VINYL

MODEL: J15-51-44

DRAWN BY:
JMT

SCALE:
NTS

DRAWING NO.:

DTL-01

SHT. 1 OF 1

ISSUE DATE:
11/24/08

NO.	DESCRIPTION	BY	DATE

REVISIONS

The information contained herein is the proprietary property of **ARCHITECTURAL ART MFG.**, Division of Pittcon Architectural Metals, LLC. No portion of it may be reproduced by any means or used in any form except for the purpose for which it was furnished. All rights of design and invention are hereby reserved. We reserve the right to make changes in the design at our discretion.