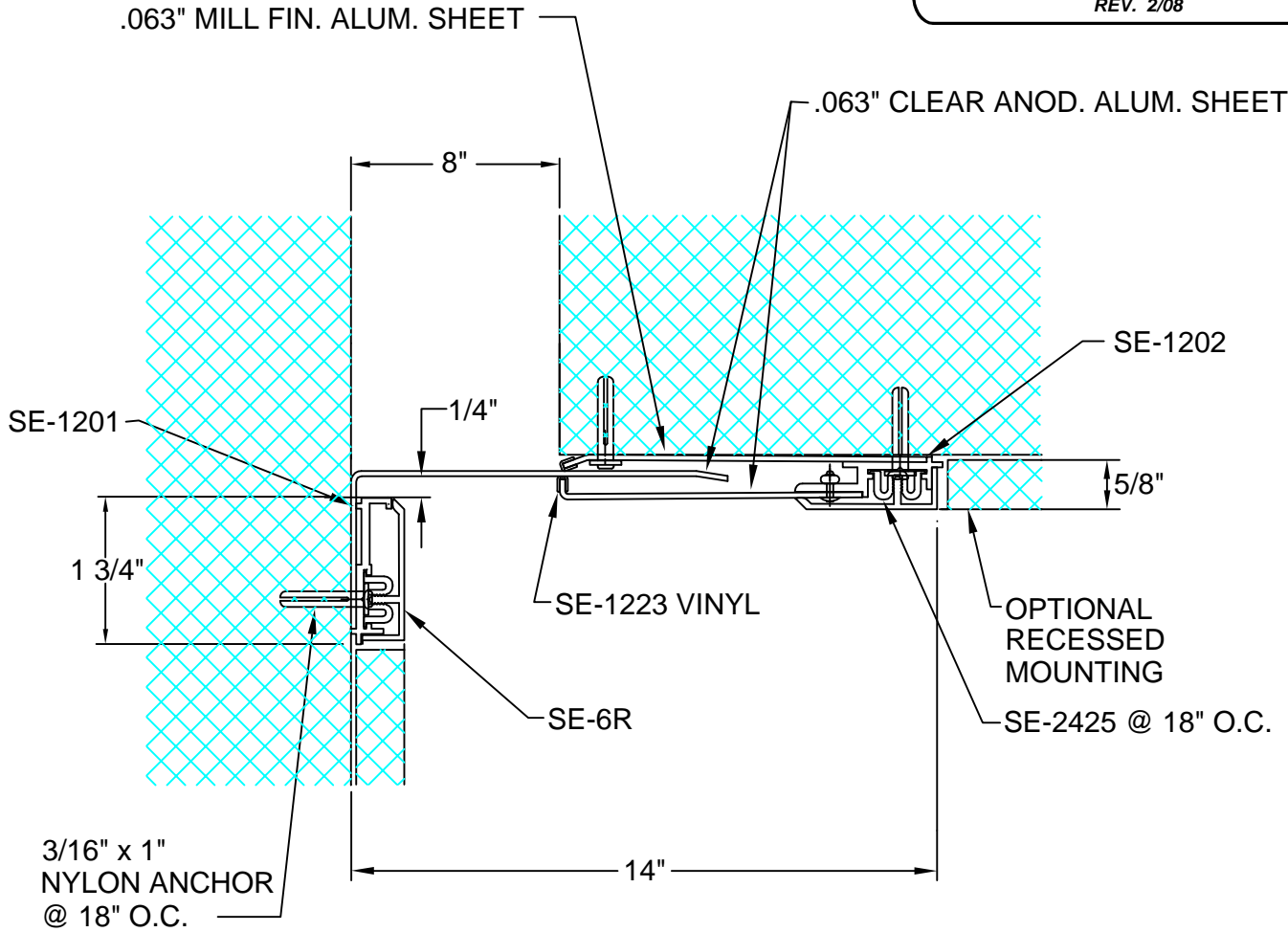


H80-63-14

REV. 2/08



DESCRIPTION: WALL TO CORNER; CEILING TO WALL

ALUMINUM: 6063-T5 EXTRUSION, 3003-H14 SHEET

VINYL: 90 DURO PVC

EXPOSED FINISH: R1-204 CLEAR ANODIZED

ALLOWABLE LOAD: NOT DESIGNED FOR STRUCTURAL LOADS

MOVEMENT: +/- 25% JOINT WIDTH

STOCK LENGTHS: 10'-0"

| | | |
|-------------|-------|--------------|
| CUSTOMER: | | |
| PROJECT: | | |
| LOCATION: | | |
| ARCHITECT: | | |
| CONTRACTOR: | | |
| NOTE: | | |
| JOB NO.: | DATE: | SCALE: (NTS) |

| MARK: | QTY: | LENGTH: | LOCATION: |
|-------|------|---------|-----------|
| | | | |
| | | | |
| | | | |
| | | | |
| | | | |

ARCHITECTURAL ART MFG.

6409 RHODE ISLAND AVE. RIVERDALE, MD 20737 PHONE (800) 835-0028 FAX (316) 462-0511 WWW.ARCHART.COM