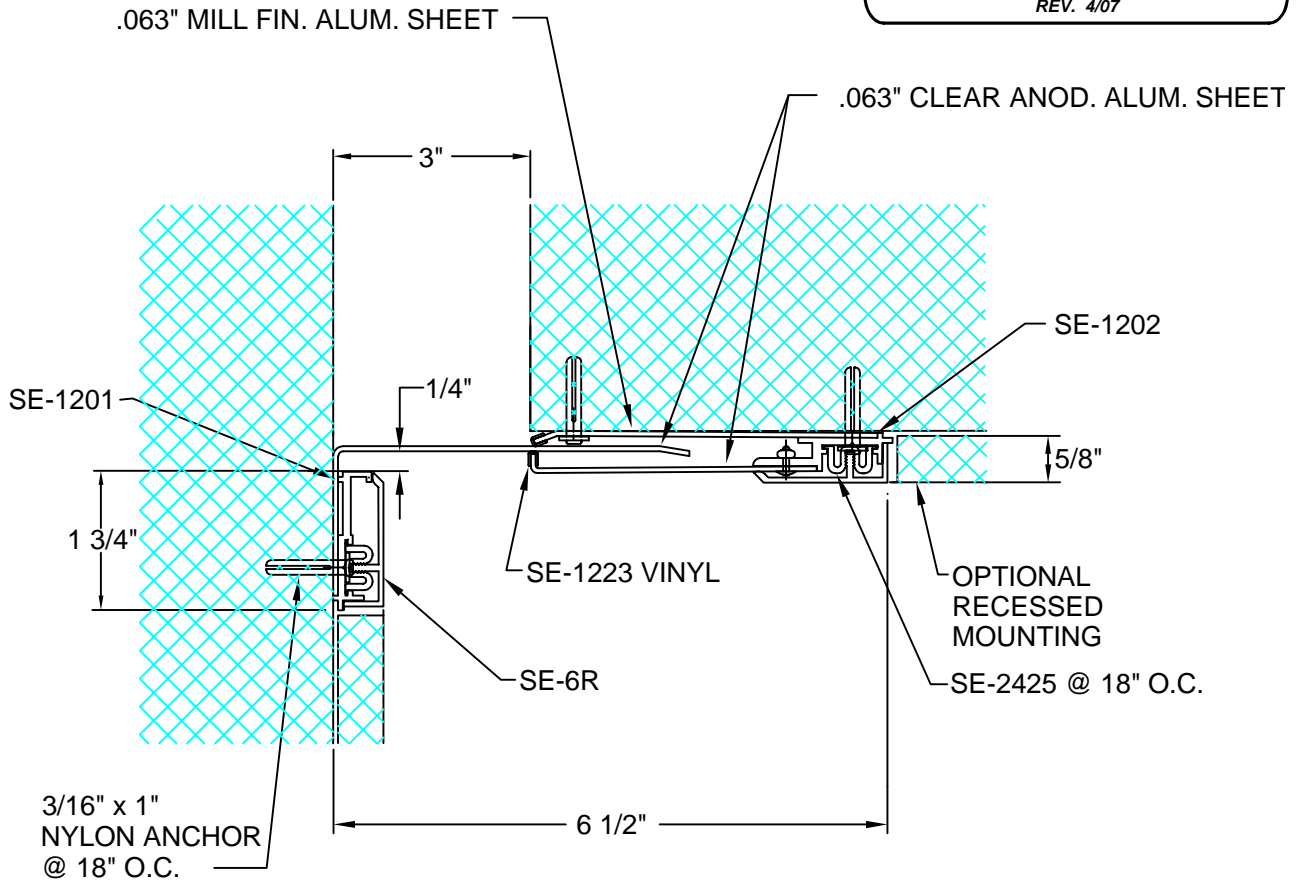


H30-63-14

REV. 4/07



DESCRIPTION: WALL TO CORNER; CEILING TO WALL
ALUMINUM: 6063-T5 EXTRUSION, 3003-H14 SHEET
VINYL: 90 DURO PVC
EXPOSED FINISH: R1-204 CLEAR ANODIZED
ALLOWABLE LOAD: NOT DESIGNED FOR STRUCTURAL LOADS
MOVEMENT: +/- 25% JOINT WIDTH
STOCK LENGTHS: 10'-0"

CUSTOMER:		
PROJECT:		
LOCATION:		
ARCHITECT:		
CONTRACTOR:		
NOTE:		
JOB NO.:	DATE:	SCALE: (NTS)

MARK:	QTY:	LENGTH:	LOCATION: