

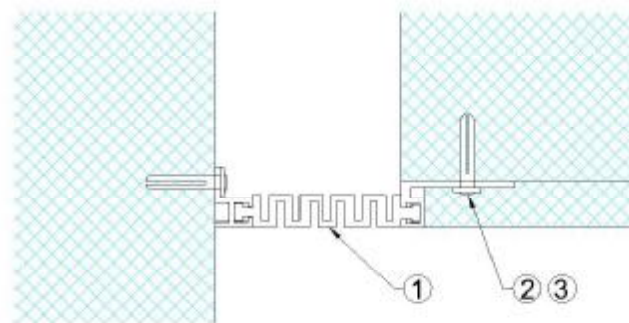
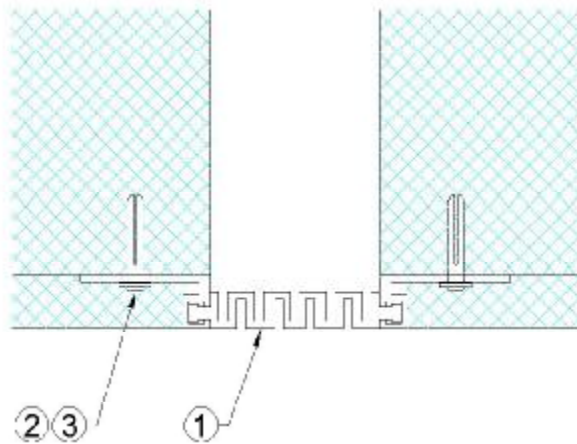
### INSTALLATION INSTRUCTIONS

Each installation may have unique situations that cannot be covered by the following guidelines. Please call 1-800-835-0028 if you have questions.

# J01

REV 10/06

- Step 1: Position vinyl insert and push into extrusion tracks, making sure vinyl is locked into position. To avoid future gaps at ends and intersections, **DO NOT** stretch vinyl lengthwise during installation.
- Step 2: Position the assembly and drill 3/16" holes to a minimum depth of 1" into wall using drill track on the extrusion as a guide.
- Step 3: Push nylon anchors through holes into wall and drive tight.



**ARCHITECTURAL ART MFG.**  
6409 Rhode Island Ave. Riverdale, MD 20737



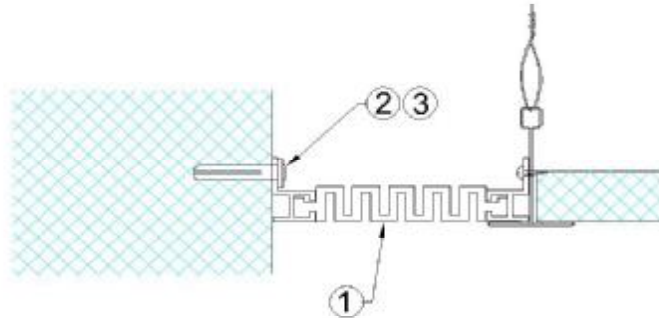
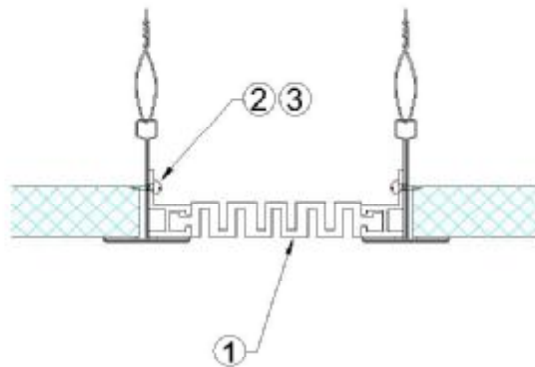
### INSTALLATION INSTRUCTIONS

Each installation may have unique situations that cannot be covered by the following guidelines. Please call 1-800-835-0028 if you have questions.

# J02

REV 10/06

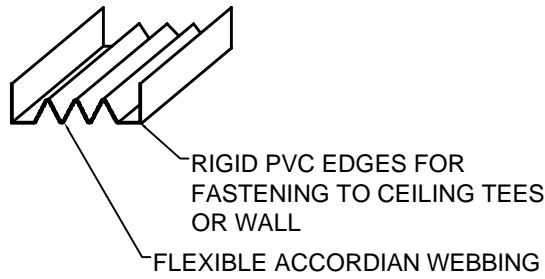
- Step 1: Position vinyl insert and push into extrusion tracks, making sure it is locked into position. To avoid future gaps at ends and intersections, DO NOT stretch vinyl lengthwise during installation.
- Step 2: Position the assembly and drill pilot hole for #6 S.M.S. into ceiling tee or 3/16" hole to a minimum depth of 1" into wall on appropriate conditions.
- Step 3: Push nylon anchors through holes into wall and drive tight or install #6 S.M.S. into ceiling tee.



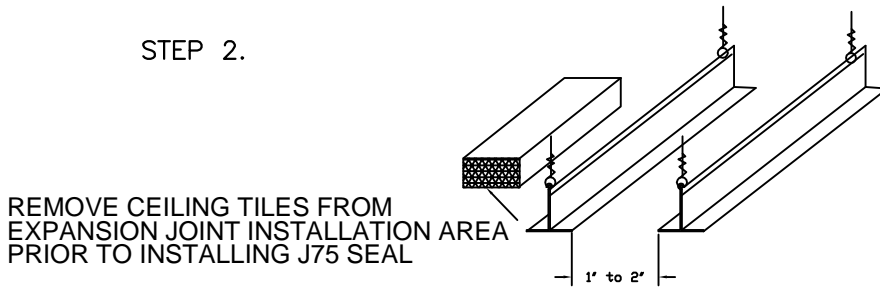
**ARCHITECTURAL ART MFG.**  
6409 Rhode Island Ave. Riverdale, MD 20737



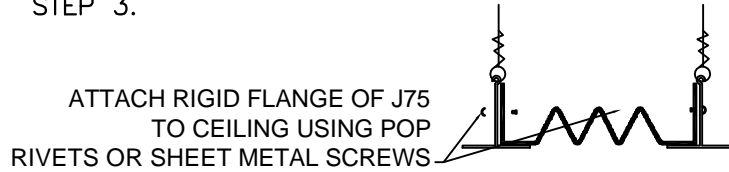
STEP 1.



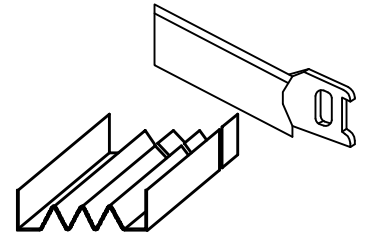
STEP 2.



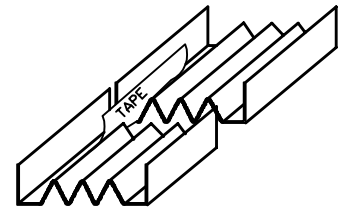
STEP 3.



### General Tips for Preparing Accoustical Ceiling Expansion Joints



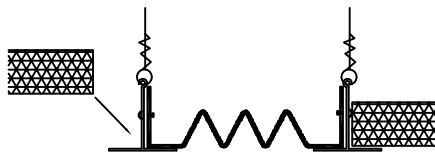
Cut the J Series material to length leaving enough material to extend 1" beyond the wall on each side of the opening



Splices can be field applied by butting the materials together and using tape across the joint

STEP 4.

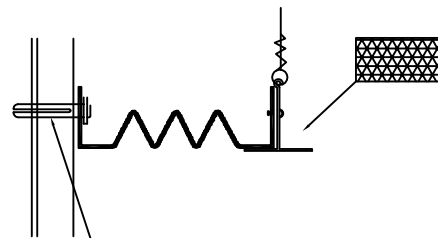
CEILING TO CEILING INSTALLATION



INSTALL CEILING TILES

STEP 5.

WALL TO CEILING INSTALLATION



FASTEN THE FLANGE OF J75 TO WALL USING APPROPRIATE FASTENERS