

## INSTALLATION INSTRUCTIONS

Each installation may have unique situations that cannot be covered by the following guidelines. Please call 1-800-835-0028 if you have questions.

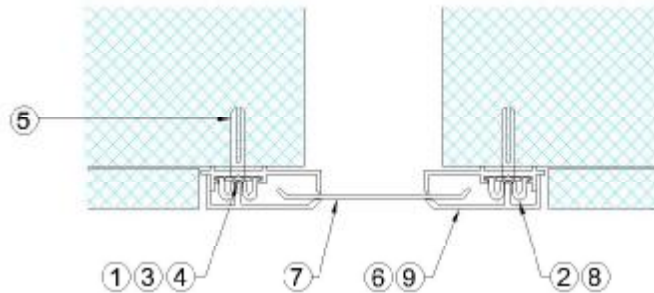
# H01

REV 10/06

- Step 1:** Drill  $\frac{3}{16}$ " holes 4" from each end of the two anchor strips, then approximately 1'-6" center to center on the balance of the pieces. Use the drill track to center drill on the anchor strips.
- Step 2:** Mount spring clip into "T" shaped retainer and insert into the two anchor strips from the ends. Line up springs with drilled holes and make certain that the springs are moved toward the joint side of each anchor strip.

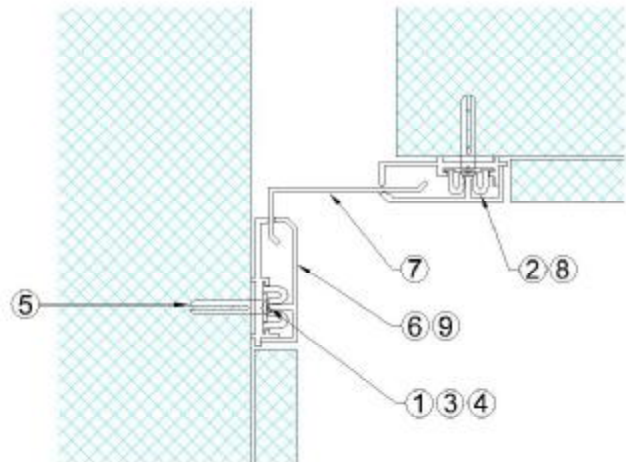
- Step 3:** Mark both sides of wall or ceiling from inside corners at top, center and bottom using dimensions as shown on technical detail. Set the two anchor extrusions to marks and mark hole locations.

- Step 4:** Drill  $\frac{3}{16}$ " holes corresponding to holes in the two anchor strips to minimum depth of 1" into wall, making sure that the anchor strips are set to a straight line.



- Step 5:** Push nylon anchors through holes in anchor strips into wall and drive tight.

- Step 6:** Position cover plates and mark location of clips on protective covering to indicate where pressure should be applied to snap covers into spring clips. This is important, as once the clips are bonded, it is difficult to remove the cover without damage.



- Step 7:** Center cover plate over the joint.

- Step 8:** Apply bonding glue to inside walls of retainer clip.\*

- Step 9:** Place cover plates in position, making sure flanges of the covers fit outside and next to flanges of the two anchor strips. To lock covers, tap near outside edges of cover, using wood block for protection of metal finish.

\* We recommend any of the following four Loctite bonding gels:

1. Loctite Super Glue Gel
2. Loctite Super Glue Gel Control
3. Loctite Super Glue Gel Professional
4. Loctite Super Glue Ultra Gel Control



**ARCHITECTURAL ART MFG.**  
6409 RHODE ISLAND AVE. RIVERDALE MD 20737



## INSTALLATION INSTRUCTIONS

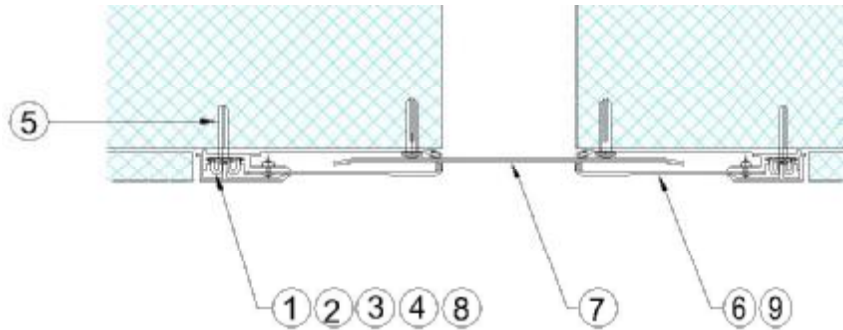
Each installation may have unique situations that cannot be covered by the following guidelines. Please call 1-800-835-0028 if you have questions.

# H02

REV 10/06

- Step 1: Drill  $\frac{3}{16}$ " holes 4" from each end of the two anchor strips, then approximately 1'-6" center to center on the balance of the pieces. Use the drill track to center drill on the anchor strips.
- Step 2: Mount spring clip into "T" shaped retainer and insert into the two anchor strips from the ends. Line up springs with drilled holes and make certain that the springs are moved toward the joint side of each anchor strip.
- Step 3: Mark both sides of wall or ceiling from inside corners at top, center and bottom using dimensions as shown on technical detail. Set the two anchor extrusions to marks and mark hole locations.

- Step 4: Drill  $\frac{3}{16}$ " holes corresponding to holes in the two anchor strips to minimum depth of 1" into wall, making sure that the anchor strips are set to a straight line.

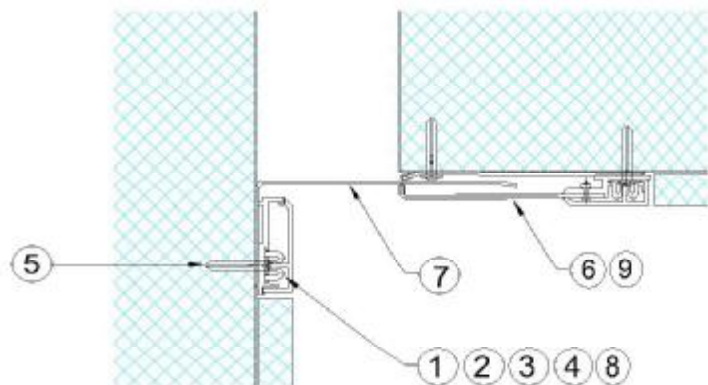


- Step 5: Push nylon anchors through holes in anchor strips into wall and drive tight.

- Step 6: Position cover plates and mark location of clips on protective covering to indicate where pressure should be applied to snap covers into spring clips. This is important, as once the clips are bonded, it is difficult to remove cover without damage.

- Step 7: Center cover plate over the joint.

- Step 8: Apply bonding glue to inside walls of retainer clip.\*



- Step 9: Place cover plates in position, making sure flanges of the covers fit outside and next to flanges of the two anchor strips. To lock covers, tap near outside edges of cover, using wood block for protection of metal finish.

\* We recommend any of the following four Loctite bonding gels:

1. Loctite Super Glue Gel
2. Loctite Super Glue Gel Control
3. Loctite Super Glue Gel Professional
4. Loctite Super Glue Ultra Gel Control



ARCHITECTURAL ART MFG.  
6409 RHODE ISLAND AVE. RIVERDALE MD 20737

