

INSTALLATION INSTRUCTIONS

Each installation may have unique situations that cannot be covered by the following guidelines. Please call 1-800-835-0028 if you have questions.

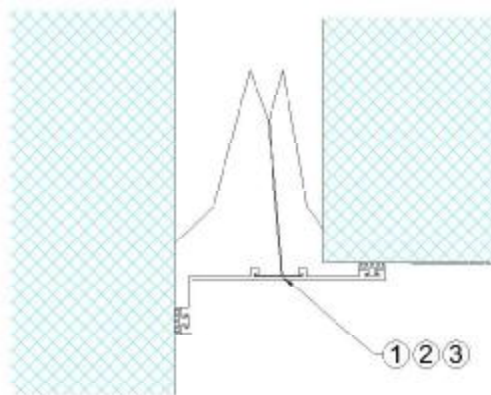
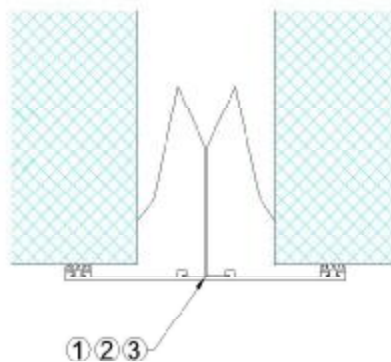
G01

REV 10/06

Step 1: Slide spring clip assemblies into aluminum cover track.

Step 2: Locate spring clips at approximately 4" from each end of the assembly and approximately 1'-6" on center.

Step 3: Push cover with spring clips installed into expansion joint opening, making sure spring engages the ceiling or wall structure.



ARCHITECTURAL ART MFG.
6409 Rhode Island Ave. Riverdale, MD 20737



INSTALLATION INSTRUCTIONS

Each installation may have unique situations that cannot be covered by the following guidelines. Please call 1-800-835-0028 if you have questions.

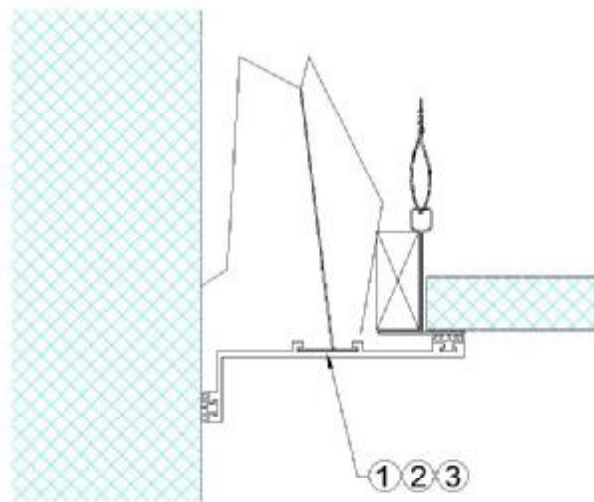
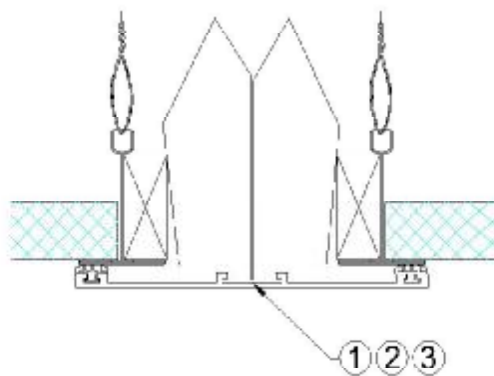
G02

REV 10/06

Step 1: Slide spring clip assemblies into aluminum cover track.

Step 2: Locate spring clips at approximately 4" from each end of the assembly and approximately 1'-6" on center.

Step 3: Push cover with spring clips installed into expansion joint opening, making sure spring engages the ceiling or wall structure.



ARCHITECTURAL ART MFG.
6409 Rhode Island Ave. Riverdale, MD 20737



*

*** We recommend any of the following four Loctite bonding gels:**

- 1. Loctite Super Glue Gel**
- 2. Loctite Super Glue Gel Control**
- 3. Loctite Super Glue Gel Professional**
- 4. Loctite Super Glue Ultra Gel Control**